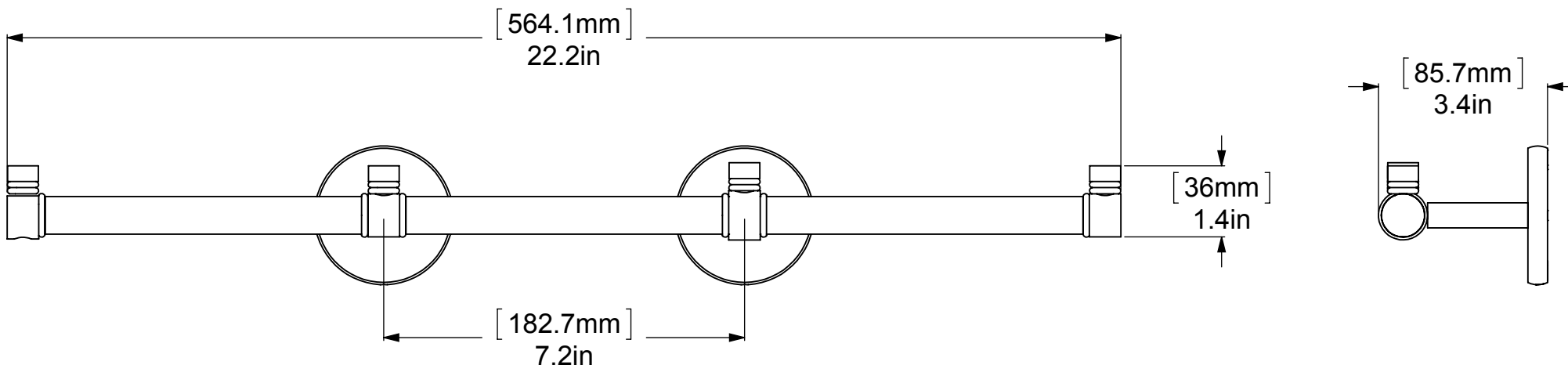
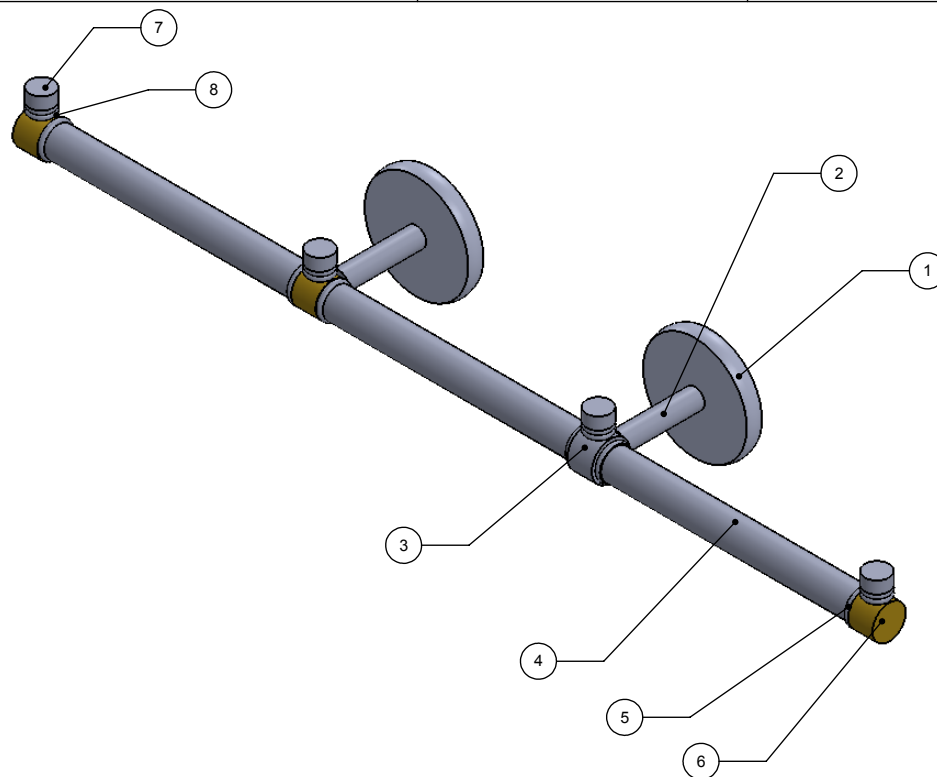


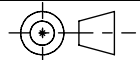
ITEM NO.	P/N	Description	QTY.
1	BPRD	BACKPLATE	2
2	TU12-2	Neck	2
3	HB2T-1	HUB	2
4	TU34-6.5	TUBE	3
5	CRRD-34	RING	6
6	HBBTT-78	END CAP	2
7	CARD-58	TOP	4
8	CRRD-12	RING	8



UNLESS OTHERWISE STATED


.X	$\pm .3\text{mm}$
.XX	$\pm .15\text{mm}$
.XXX	$\pm .008\text{mm}$

COPYRIGHT © Allied Brass 2016



THIRD ANGLE PROJECTION

DRAWN	5/4/2016	I.M
CHECKED	5/4/2016	P.D
APPROVED	5/4/2016	R.A

MATERIAL:	BRASS		FINISH	TBD
DESCRIPTION:	TOWEL HOLDER		QUANTITY	TBD
			DRAWING No.	
			P1000-HTB -3	
SCALE			1:3	SHEET: 01
				A4